

New product information

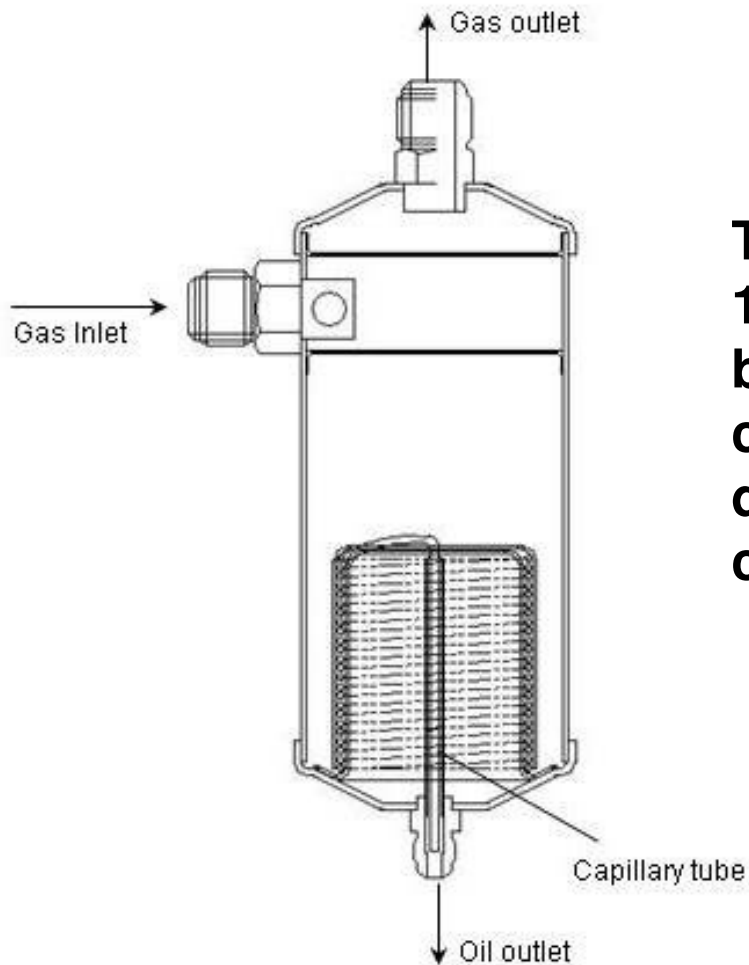
OIL SEPARATOR

2006. 10.



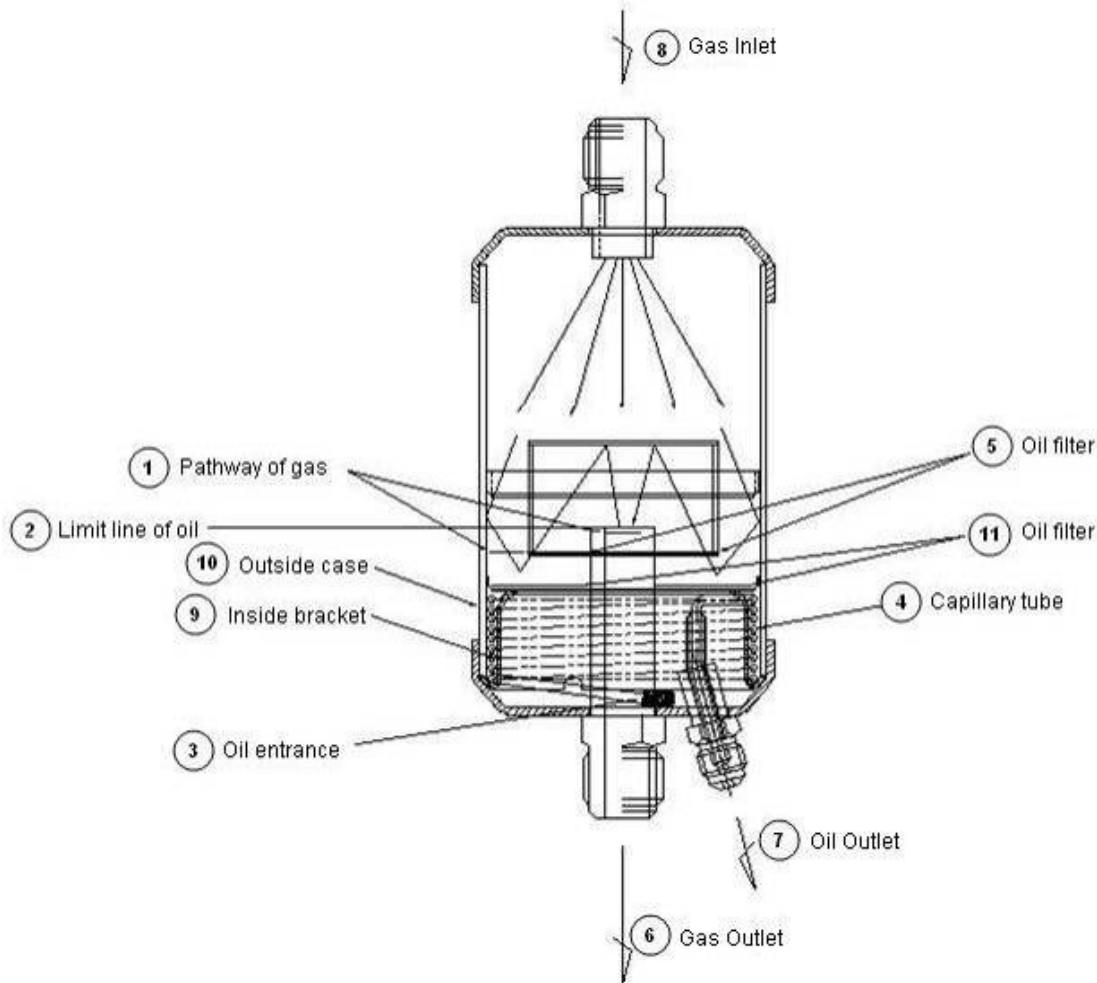
HWASUNG THERMO CO., LTD.

Previous old oil separator



The diameter of capillary tube is 1.1mm and if capillary tube is blocked, oil can't be return to the compressor thus, compressor get damaged. The blocked oil separator can't be used again.

Oil Separator developed by HS Thermo



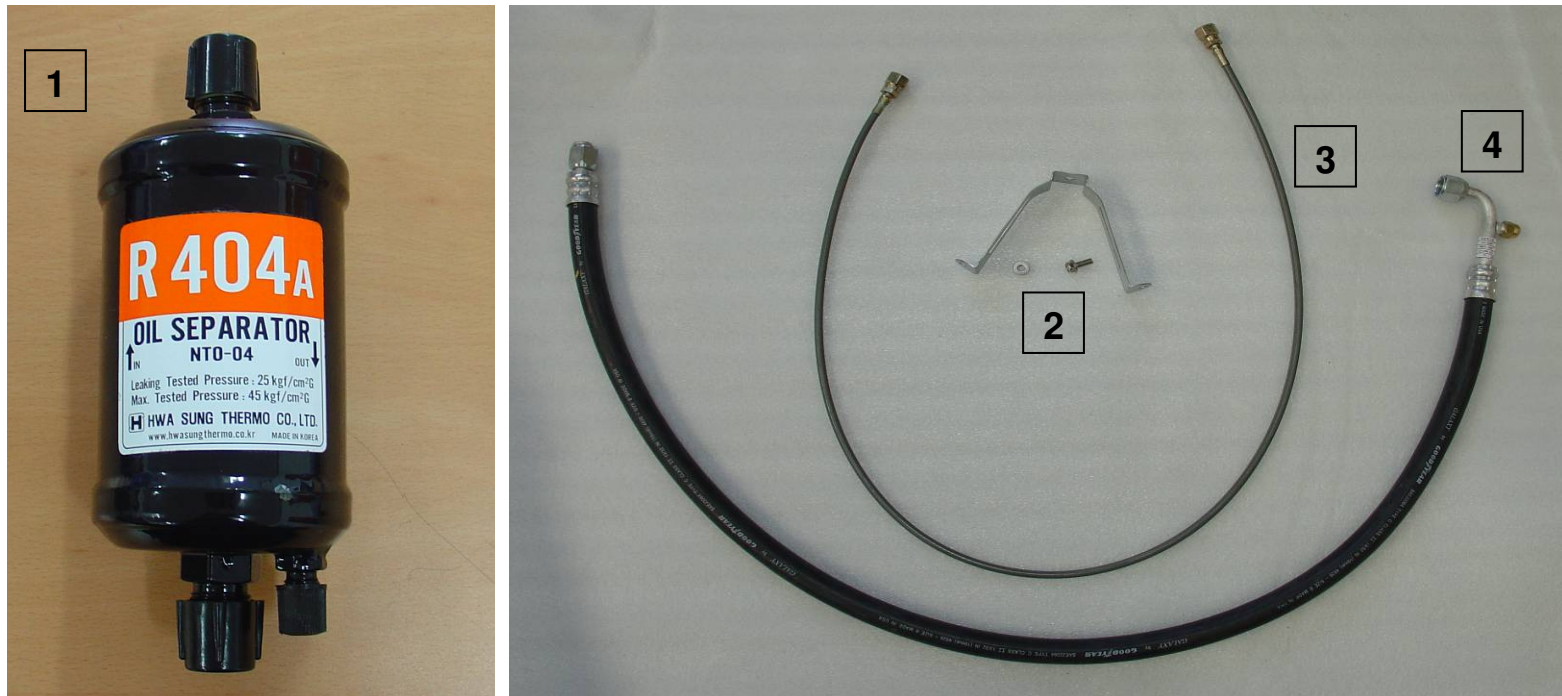
1. discharged Refrigerant gas from compressor and compressor oil entered thru number 1
2. The gas and oil pass the oil filter during pass the limited line.
3. Separated oil and gas pass the oil filter number 11 again and come to the bottom.
4. The oil returned to oil return port thru the capillary tube
5. The limited oil line : When the capillary tube is blocked and the oil couldn't return to the compressor, the 50% of oil remained up to the limited line. Over 50% of the oil bypass to the output with the gas.

Advantage of HS Thermo Oil Separator



- n **Compressor protection** : New oil separator has a limited oil line and although the capillary tube is blocked, oil over the limited line returned with the refrigerant thru gas outlet. It protects the compressor longer.
- n **Durability** : The capillary tube is located between the inside bracket (page 3) and the outside case (page 3) therefore it is strong from the vibration.
- n **Cheaper Price** : The oil separator is manufactured in Hwa Sung Thermo factory and we supply high quality products at a low price.

Related Parts and Price



| No. | P/N | P/Name |
|-----|-------------|-------------------------------|
| 1 | 55100-S1206 | Oil separator, NT0-04 |
| 2 | 55100-S1210 | Clamp,w/bolt |
| 3 | 55100-S1001 | Oil hose(1.2m) |
| 4 | 88620-A1280 | HP hose ass'y, 1/2" 1.28m C/V |

* All above parts should be purchased separately